

RFCOMPONENTS.COM.AU

LOW PIM Cable Load

Part Number **RFCL06-4310M-100**

600 - 5850 MHz, 100 Watt, 4.3-10 Male Cable Load

Rev 2

ELECTRICAL SPECIFICATION

Pass Band	600-5850 MHz
Power handling	100 W CW max
In/out Impedance	50 Ω
Return loss	18 dB min

PIM Requirement

IMD in RX band, COM port (2 CW tones +43 dBm each) Performed at 900MHz, 1800MHz and 3500MHz bands	158 dBc typ., 155 dBc min
--	---------------------------

MECHANICAL SPECIFICATION

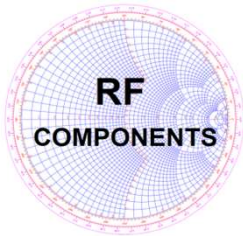
RF Connectors	4.3-10 male
Cable type	RG402
Weight	2.5 Kg max
Dimensions without connectors and mounting brackets	110*110*70 mm typ.
Outside finish	Black or Aluminum natural color
Product Configuration	Single unit

PACKAGING SPECIFICATION

Applicable standard	NEBS GR-63-CORE
---------------------	-----------------

ENVIRONMENTAL SPECIFICATION

Temperature Range	-10 to +60° C
IP Class	IP63 for indoor
EMC / EMI	NEBS GR-1089-CORE and EN 55022
Safety	EN 60950
Corrosion resistance	N/A



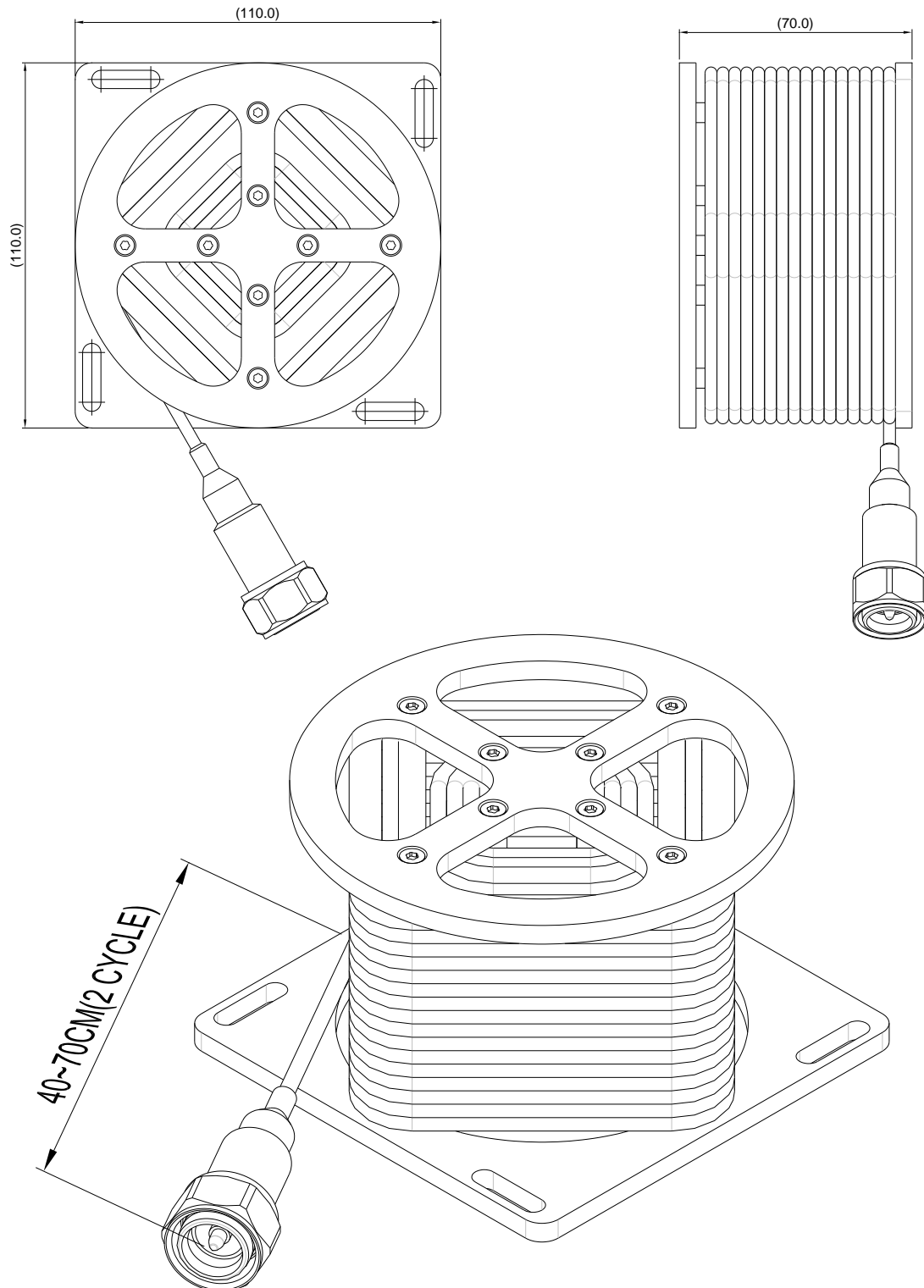
RFCOMPONENTS.COM.AU

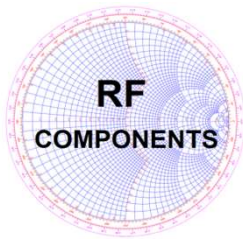
LOW PIM Cable Load

Part Number **RFCL06-4310M-100**

600 - 5850 MHz, 100 Watt, 4.3-10 Male Cable Load

Rev 2





RFCOMPONENTS.COM.AU

LOW PIM Cable Load

Part Number **RFCL06-4310M-100**

600 - 5850 MHz, 100 Watt, 4.3-10 Male Cable Load

Rev 2

RETURN LOSS SPECIFICATION

